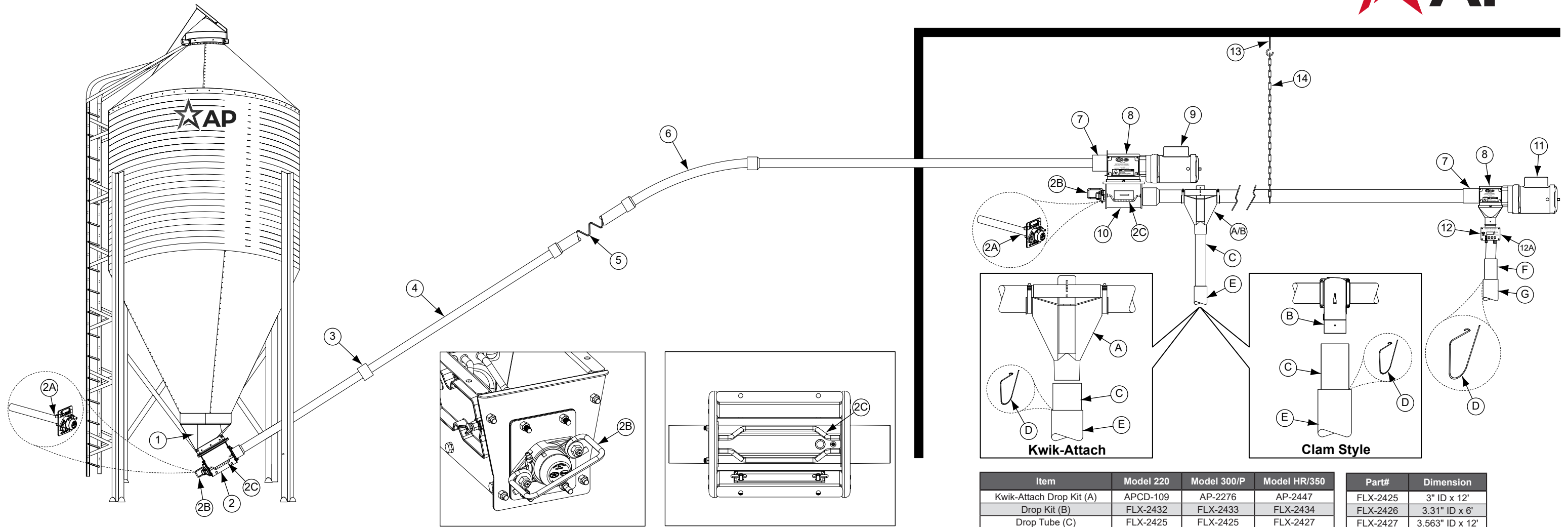


Flex-Flo Feed System Diagram - XD Unloaders



| Item | Model 220 | Model 300/P | Model HR/350 | Part# | Dimension |
|---------------------------|-----------|-------------|--------------|----------|-----------------|
| Kwik-Attach Drop Kit (A) | APCD-109 | AP-2276 | AP-2447 | FLX-2425 | 3" ID x 12' |
| Drop Kit (B) | FLX-2432 | FLX-2433 | FLX-2434 | FLX-2426 | 3.31" ID x 6' |
| Drop Tube (C) | FLX-2425 | FLX-2425 | FLX-2427 | FLX-2427 | 3.563" ID x 12' |
| Spring Clip (D) | FLX-4278 | FLX-4278 | FLX-4278 | FLX-2428 | 3.94" ID x 6' |
| Telescoping Drop Tube (E) | FLX-2426 | FLX-2426 | FLX-2428 | | |
| Drop Tube (F) | FLX-2427 | FLX-2427 | FLX-2427 | | |
| Telescoping Drop Tube (G) | FLX-2428 | FLX-2428 | FLX-2428 | | |

| Ref.# | Part# | Description |
|-------|------------|---|
| 1 | FLX-2194 | 16" 30" Plastic Boot, Black |
| | FLX-2194-C | 16" 30" Plastic Boot, Clear |
| | FLX-2194-T | 16" 30" Plastic Boot, Translucent |
| 2 | FLX-5432 | M-220 XD S.O. Unloader w/Anchor & Bearing |
| | FLX-5434 | M-220 XD T.O. Unloader w/Anchor & Bearing |
| | FLX-5434DT | M-220 XD T.O. Unloader w/Anchor & Bearing, Double Transfer |
| | FLX-5436 | M-300 XD S.O. Unloader w/Anchor & Bearing |
| | FLX-5438 | M-300 XD T.O. Unloader w/Anchor & Bearing |
| | FLX-5438DT | M-300 XD T.O. Unloader w/Anchor & Bearing, Double Transfer |
| | FLX-5440 | M-300P XD S.O. Unloader w/Anchor & Bearing |
| | FLX-5442 | M-300P XD T.O. Unloader w/Anchor & Bearing |
| | FLX-5442DT | M-300P XD T.O. Unloader w/Anchor & Bearing, Double Transfer |
| | FLX-5448 | M-HR XD S.O. Unloader w/Anchor & Bearing |
| | FLX-5450 | M-HR XD T.O. Unloader w/Anchor & Bearing |
| | FLX-5450DT | M-HR XD T.O. Unloader w/Anchor & Bearing, Double Transfer |
| 2A | FLX-5457 | M-220 XD/Ultra Anchor & Bearing Assembly |
| | FLX-5458 | M-300 XD/Ultra Anchor & Bearing Assembly |
| | FLX-5459 | M-300P XD/Ultra Anchor & Bearing Assembly |
| 2B | FLX-5461 | M-HR XD/Ultra Anchor & Bearing Assembly |
| | FLX-5460 | M-350 XD/Ultra Anchor & Bearing Assembly |
| 2B | FLX-5688 | XD/Ultra Bearing Handle Kit |

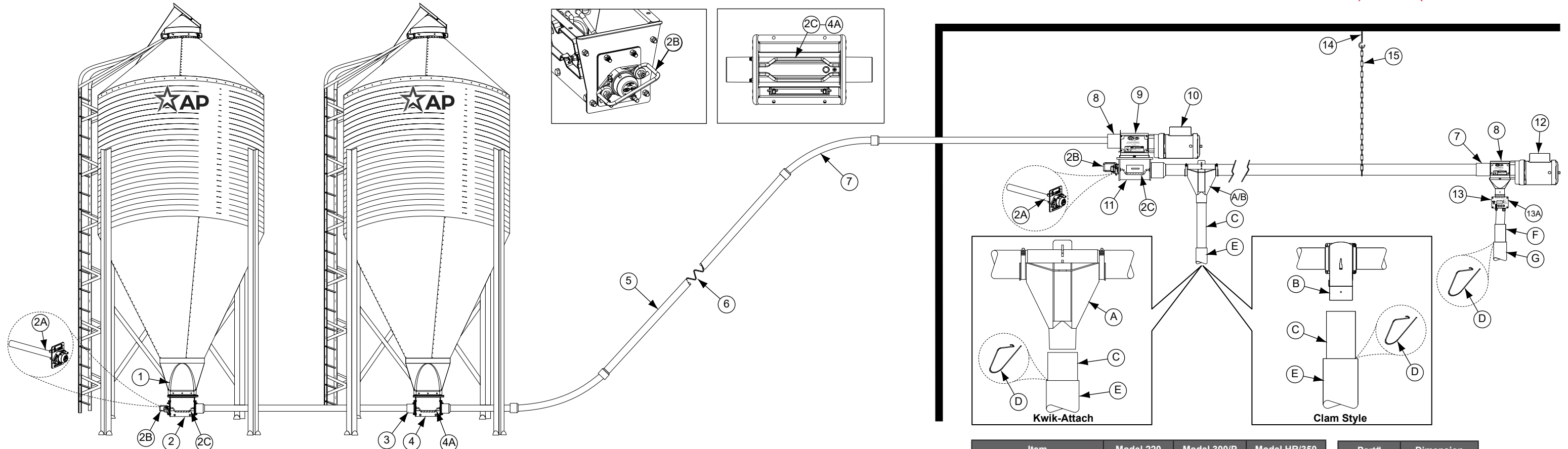
| Ref.# | Part# | Description |
|-------|-------------|--|
| 2C | FLX-5684 | M-300P XD/Ultra Auger Retention Kit (Used with "Out" Unloaders on M-300P Systems Only) |
| 3 | FLX-2537 | M-220 PVC Flex-Flo Coupler |
| | FLX-2538 | M-300/P PVC Flex-Flo Coupler |
| 4 | FLX-2539 | M-HR/350 PVC Flex-Flo Coupler |
| | PVC-1004 | M-220 PVC Flex-Flo Tube, 10' (3 m) w/Belled End |
| | PVC-1005 | M-300/P PVC Flex-Flo Tube, 10' (3 m) w/Belled End |
| 5 | PVC-1006 | M-HR/350 PVC Flex-Flo Tube, 10' (3 m) w/Belled End |
| | FLXA1520 | M-220 Auger |
| 6 | FLXA2390 | M-300/HR Auger |
| | FLXA2206 | M-300P Auger |
| 7 | FLXA2710 | M-350 Auger |
| | PVC-1000 | M-220 PVC Flex-Flo 45° Elbow, 10' Radius w/Belled End |
| | PVC-1101 | M-220 PVC Flex-Flo 45° Elbow, 5' Radius w/Belled End |
| 8 | PVC-1001 | M-300/P PVC Flex-Flo 45° Elbow, 5' Radius w/Belled End |
| | PVC-1002 | M-HR/350 PVC Flex-Flo 45° Elbow, 5' Radius w/Belled End |
| | FLX-5275 | M-220 Direct Drive Driver & Plastic Tube Anchor Package |
| 9 | FLX-5279 | M-300 Direct Drive Driver & Plastic Tube Anchor Package |
| | FLX-5282 | M-300P Direct Drive Driver & Plastic Tube Anchor Package |
| | FLX-5288 | M-HR Direct Drive Driver & Plastic Tube Anchor Package |
| 10 | FLX-5286 | M-350 Direct Drive Driver & Plastic Tube Anchor Package |
| | FLX-5298 | Flex-Flo Control Unit Assembly, FLX-5350, 230VAC, 1 PH/3 PH, M-220, M-300/P, M-350/HR |
| 11 | FLX-5298-MS | Flex-Flo Control Unit Assembly, FLX-4512, 220VAC, 1 PH/3 PH, M-220, M-300/P, M-350/HR |
| | FLX-2672 | DDPU, 1/3 HP, 1 PH, 50/60Hz, 115/208-230V, 208/250 RPM |
| 12 | FLX-2673 | DDPU, 1/2 HP, 1 PH, 50/60Hz, 115/208-230V, 208/250 RPM |

| Ref.# | Part# | Description |
|-------|-------------|--|
| 9 | FLX-2674 | DDPU, 3/4 HP, 1 PH, 50/60Hz, 115/208-230V, 208/250 RPM |
| | FLX-3629 | DDPU, 1 HP, 1 PH, 50/60Hz, 115/208-230V, 208/250 RPM |
| 10 | FLX-5432A | M-220 XD S.O. Unloader w/Control Unit Adapter, Anchor & Bearing |
| | FLX-5436A | M-300 XD S.O. Unloader w/Control Unit Adapter, Anchor & Bearing |
| | FLX-5440A | M-300P XD S.O. Unloader w/Control Unit Adapter, Anchor & Bearing |
| 11 | FLX-5448A | M-HR XD S.O. Unloader w/Control Unit Adapter, Anchor & Bearing |
| | FLX-5444A | M-350 XD S.O. Unloader w/Control Unit Adapter, Anchor & Bearing |
| | FLX-2458 | DDPU, 1/3 HP, 1 PH, 50/60Hz, 115/208-230V, 298/358 RP-M |
| 12 | FLX-2459 | DDPU, 1/2 HP, 1 PH, 50/60Hz, 115/208-230V, 298/358 RPM |
| | FLX-2460 | DDPU, 3/4 HP, 1 PH, 50/60Hz, 115/208-230V, 298/358 RPM |
| | FLX-2461 | DDPU, 1 HP, 1 PH, 50/60Hz, 115/208-230V, 298/358 RPM |
| 13 | FLX-2462 | DDPU, 1-1/2 HP, 1 PH, 50/60Hz, 115/208-230V, 298/358 RPM |
| | FLX-4951 | Smart IR Feed Level Sensor |
| 14 | FLX-5335 | Smart IR II Feed Level Sensor |
| | FLX-5262 | IR Plus Feed Level Sensor |
| 12A | AP-4738 | 4" x 6" Clear Feed Level Sensor Cover w/Hardware |
| | S-10237-20 | Open Eye Screw, 1/4" x 3-1/2", SS - Qty. of 20 |
| | S-10237-40 | Open Eye Screw, 1/4" x 3-1/2", SS - Qty. of 40 |
| 13 | S-10237-B | Open Eye Screw, 1/4" x 3-1/2", SS - Qty. of 100 |
| | S-10237-500 | Open Eye Screw, 1/4" x 3-1/2", SS - Qty. of 500 |
| | AP-2950 | Open Eye Screw, 1/4" x 3-1/2" - Qty. of 10 |
| | AP-2951 | Open Eye Screw, 1/4" x 3-1/2" - Qty. of 20 |
| | AP-2952 | Open Eye Screw, 1/4" x 3-1/2" - Qty. of 40 |
| | S-7313-B | Open Eye Screw, 1/4" x 3-1/2" - Qty. of 100 |

| Ref.# | Part# | Description |
|-------|---------------|--|
| 13 | S-7313-500 | Open Eye Screw, 1/4" x 3-1/2" - Qty. 500 |
| | S-8589-SS-100 | #2 Weldless Chain, 100' Roll, SS |
| 14 | S-8589-SS | #2 Weldless Chain, 400' Roll, SS |
| | S-8586 | #2 Weldless Chain, 25' Bag |
| | S-8587 | #2 Weldless Chain, 50' Bag |
| | S-8588 | #2 Weldless Chain, 100' Bag |
| | S-8589 | #2 Weldless Chain, 400' Roll |

NOTE: *Add "-SS" to the end of the unloader part number for stainless steel option.
 *Add "-KT" to the end of the unloader part number for unassembled option.
 *Add "-SS-KT" to the end of the unloader part number for unassembled stainless steel option.

Flex-Flo Feed System Diagram - XD Unloaders



| Item | Model 220 | Model 300/P | Model HR/350 | Part# | Dimension |
|---------------------------|-----------|-------------|--------------|----------|-----------------|
| Kwik-Attach Drop Kit (A) | APCD-109 | AP-2276 | AP-2447 | FLX-2425 | 3" ID x 12' |
| Drop Kit (B) | FLX-2432 | FLX-2433 | FLX-2434 | FLX-2426 | 3.31" ID x 6' |
| Drop Tube (C) | FLX-2425 | FLX-2425 | FLX-2427 | FLX-2427 | 3.563" ID x 12' |
| Spring Clip (D) | FLX-4278 | FLX-4278 | FLX-4278 | FLX-2428 | 3.94" ID x 6' |
| Telescoping Drop Tube (E) | FLX-2426 | FLX-2426 | FLX-2428 | | |
| Drop Tube (F) | FLX-2427 | FLX-2427 | FLX-2427 | | |
| Telescoping Drop Tube (G) | FLX-2428 | FLX-2428 | FLX-2428 | | |

| Ref.# | Part# | Description |
|----------|------------|---|
| 1 | FLX-2195 | 16" Straight Plastic Boot, Black |
| | FLX-2195-C | 16" Straight Plastic Boot, Clear |
| | FLX-2195-T | 16" Straight Plastic Boot, Translucent |
| | FLX-4869 | 16" Twin Straight Plastic Boot |
| 2* | FLX-5432 | M-220 XD S.O. Unloader w/Anchor & Bearing |
| | FLX-5434 | M-220 XD T.O. Unloader w/Anchor & Bearing |
| | FLX-5434DT | M-220 XD T.O. Unloader w/Anchor & Bearing, Double Transfer |
| | FLX-5436 | M-300 XD S.O. Unloader w/Anchor & Bearing |
| | FLX-5438 | M-300 XD T.O. Unloader w/Anchor & Bearing |
| | FLX-5438DT | M-300 XD T.O. Unloader w/Anchor & Bearing, Double Transfer |
| | FLX-5440 | M-300P XD S.O. Unloader w/Anchor & Bearing |
| | FLX-5442 | M-300P XD T.O. Unloader w/Anchor & Bearing |
| | FLX-5442DT | M-300P XD T.O. Unloader w/Anchor & Bearing, Double Transfer |
| | FLX-5448 | M-HR XD S.O. Unloader w/Anchor & Bearing |
| | FLX-5450 | M-HR XD T.O. Unloader w/Anchor & Bearing |
| | FLX-5450DT | M-HR XD T.O. Unloader w/Anchor & Bearing, Double Transfer |
| | FLX-5444 | M-350 XD S.O. Unloader w/Anchor & Bearing |
| | FLX-5446 | M-350 XD T.O. Unloader w/Anchor & Bearing |
| | FLX-5446DT | M-350 XD T.O. Unloader w/Anchor & Bearing, Double Transfer |
| | 2A | FLX-5457 |
| FLX-5458 | | M-300 XD/Ultra Anchor & Bearing Assembly |
| FLX-5459 | | M-300P XD/Ultra Anchor & Bearing Assembly |
| 2B | FLX-5461 | M-HR XD/Ultra Anchor & Bearing Assembly |
| | FLX-5460 | M-350 XD/Ultra Anchor & Bearing Assembly |
| 2B | FLX-5688 | XD/Ultra Bearing Handle Kit |

| Ref.# | Part# | Description |
|------------|------------|--|
| 2C | FLX-5684 | M-300P XD/Ultra Auger Retention Kit (Used with "Out" Unloaders on M-300P Systems Only) |
| 3 | FLX-2537 | M-220 PVC Flex-Flo Coupler |
| | FLX-2538 | M-300P PVC Flex-Flo Coupler |
| | FLX-2539 | M-HR/350 PVC Flex-Flo Coupler |
| | FLX-5433 | M-220 XD S.T. Unloader w/o Anchor & Bearing |
| | FLX-5435 | M-220 XD T.T. Unloader w/o Anchor & Bearing |
| | FLX-5435DT | M-220 XD T.T. Unloader w/o Anchor & Bearing, Double Transfer |
| | FLX-5437 | M-300 XD S.T. Unloader w/o Anchor & Bearing |
| | FLX-5439 | M-300 XD T.T. Unloader w/o Anchor & Bearing |
| | FLX-5439DT | M-300 XD T.T. Unloader w/o Anchor & Bearing, Double Transfer |
| | FLX-5441 | M-300P XD S.T. Unloader w/o Anchor & Bearing |
| | FLX-5443 | M-300P XD T.T. Unloader w/o Anchor & Bearing |
| | FLX-5443DT | M-300P XD T.T. Unloader w/o Anchor & Bearing, Double Transfer |
| | FLX-5449 | M-HR XD S.T. Unloader w/o Anchor & Bearing |
| | FLX-5451 | M-HR XD T.T. Unloader w/o Anchor & Bearing |
| | FLX-5451DT | M-HR XD T.T. Unloader w/o Anchor & Bearing, Double Transfer |
| | 4A | FLX-5445 |
| FLX-5447 | | M-350 XD T.T. Unloader w/o Anchor & Bearing |
| FLX-5447DT | | M-350 XD T.T. Unloader w/o Anchor & Bearing, Double Transfer |
| 5 | PVC-1004 | M-220 PVC Flex-Flo Tube, 10' (3 m) w/Belled End |
| | PVC-1005 | M-300P PVC Flex-Flo Tube, 10' (3 m) w/Belled End |
| | PVC-1006 | M-HR/350 PVC Flex-Flo Tube, 10' (3 m) w/Belled End |

| Ref.# | Part# | Description |
|-------|-------------|--|
| 6 | FLXA1520 | M-220 Auger |
| | FLXA2390 | M-300/HR Auger |
| | FLXA2206 | M-300P Auger |
| | FLXA2710 | M-350 Auger |
| 7 | PVC-1000 | M-220 PVC Flex-Flo 45° Elbow, 10' Radius w/Belled End |
| | PVC-1101 | M-220 PVC Flex-Flo 45° Elbow, 5' Radius w/Belled End |
| | PVC-1001 | M-300P PVC Flex-Flo 45° Elbow, 5' Radius w/Belled End |
| | PVC-1002 | M-HR/350 PVC Flex-Flo 45° Elbow, 5' Radius w/Belled End |
| 8 | FLX-5275 | M-220 Direct Drive Driver & Plastic Tube Anchor Package |
| | FLX-5279 | M-300 Direct Drive Driver & Plastic Tube Anchor Package |
| 9 | FLX-5282 | M-300P Direct Drive Driver & Plastic Tube Anchor Package |
| | FLX-5288 | M-HR Direct Drive Driver & Plastic Tube Anchor Package |
| 10 | FLX-5286 | M-350 Direct Drive Driver & Plastic Tube Anchor Package |
| | FLX-5298 | Flex-Flo Control Unit Assembly, FLX-5350, 230VAC, 1 PH/3 PH, M-220, M-300P, M-350/HR |
| 11* | FLX-5298-MS | Flex-Flo Control Unit Assembly, FLX-4512, 220VAC, 1 PH/3 PH, M-220, M-300P, M-350/HR |
| | FLX-2672 | DDPU, 1/3 HP, 1 PH, 50/60Hz, 115/208-230V, 208/250 RPM |
| 12 | FLX-2673 | DDPU, 1/2 HP, 1 PH, 50/60Hz, 115/208-230V, 208/250 RPM |
| | FLX-2674 | DDPU, 3/4 HP, 1 PH, 50/60Hz, 115/208-230V, 208/250 RPM |
| | FLX-3629 | DDPU, 1 HP, 1 PH, 50/60Hz, 115/208-230V, 208/250 RPM |
| | FLX-5432A | M-220 XD S.O. Unloader w/Control Unit Adapter, Anchor & Bearing |
| | FLX-5436A | M-300 XD S.O. Unloader w/Control Unit Adapter, Anchor & Bearing |
| | FLX-5440A | M-300P XD S.O. Unloader w/Control Unit Adapter, Anchor & Bearing |
| | FLX-5448A | M-HR XD S.O. Unloader w/Control Unit Adapter, Anchor & Bearing |
| | FLX-5444A | M-350 XD S.O. Unloader w/Control Unit Adapter, Anchor & Bearing |
| | FLX-2458 | DDPU, 1/3 HP, 1 PH, 50/60Hz, 115/208-230V, 298/358 RPM |

| Ref.# | Part# | Description |
|-----------|-------------|--|
| 12 | FLX-2459 | DDPU, 1/2 HP, 1 PH, 50/60Hz, 115/208-230V, 298/358 RPM |
| | FLX-2460 | DDPU, 3/4 HP, 1 PH, 50/60Hz, 115/208-230V, 298/358 RPM |
| | FLX-2461 | DDPU, 1 HP, 1 PH, 50/60Hz, 115/208-230V, 298/358 RPM |
| | FLX-2462 | DDPU, 1-1/2 HP, 1 PH, 50/60Hz, 115/208-230V, 298/358 RPM |
| 13 | FLX-4951 | Smart IR Feed Level Sensor |
| | FLX-5335 | Smart IR II Feed Level Sensor |
| 13A | FLX-5262 | IR Plus Feed Level Sensor |
| | AP-4738 | 4" x 6" Clear Feed Level Sensor Cover w/Hardware |
| 14 | S-10237-20 | Open Eye Screw, 1/4" x 3-1/2", SS - Qty. of 20 |
| | S-10237-40 | Open Eye Screw, 1/4" x 3-1/2", SS - Qty. of 40 |
| | S-10237-B | Open Eye Screw, 1/4" x 3-1/2", SS - Qty. of 100 |
| | S-10237-500 | Open Eye Screw, 1/4" x 3-1/2", SS - Qty. of 500 |
| | AP-2950 | Open Eye Screw, 1/4" x 3-1/2" - Qty. of 10 |
| | AP-2951 | Open Eye Screw, 1/4" x 3-1/2" - Qty. of 20 |
| | AP-2952 | Open Eye Screw, 1/4" x 3-1/2" - Qty. of 40 |
| | S-7313-B | Open Eye Screw, 1/4" x 3-1/2" - Qty. of 100 |
| | S-7313-500 | Open Eye Screw, 1/4" x 3-1/2" - Qty. of 500 |
| | 15 | S-8589-SS-100 |
| S-8589-SS | | #2 Weldless Chain, 400' Roll, SS |
| S-8586 | | #2 Weldless Chain, 25' Bag |
| S-8587 | | #2 Weldless Chain, 50' Bag |
| S-8588 | | #2 Weldless Chain, 100' Bag |
| | S-8589 | #2 Weldless Chain, 400' Roll |

NOTE: *Add "-SS" to the end of the unloader part number for stainless steel option.
 *Add "-KT" to the end of the unloader part number for unassembled option.
 *Add "-SS-KT" to the end of the unloader part number for unassembled stainless steel option.