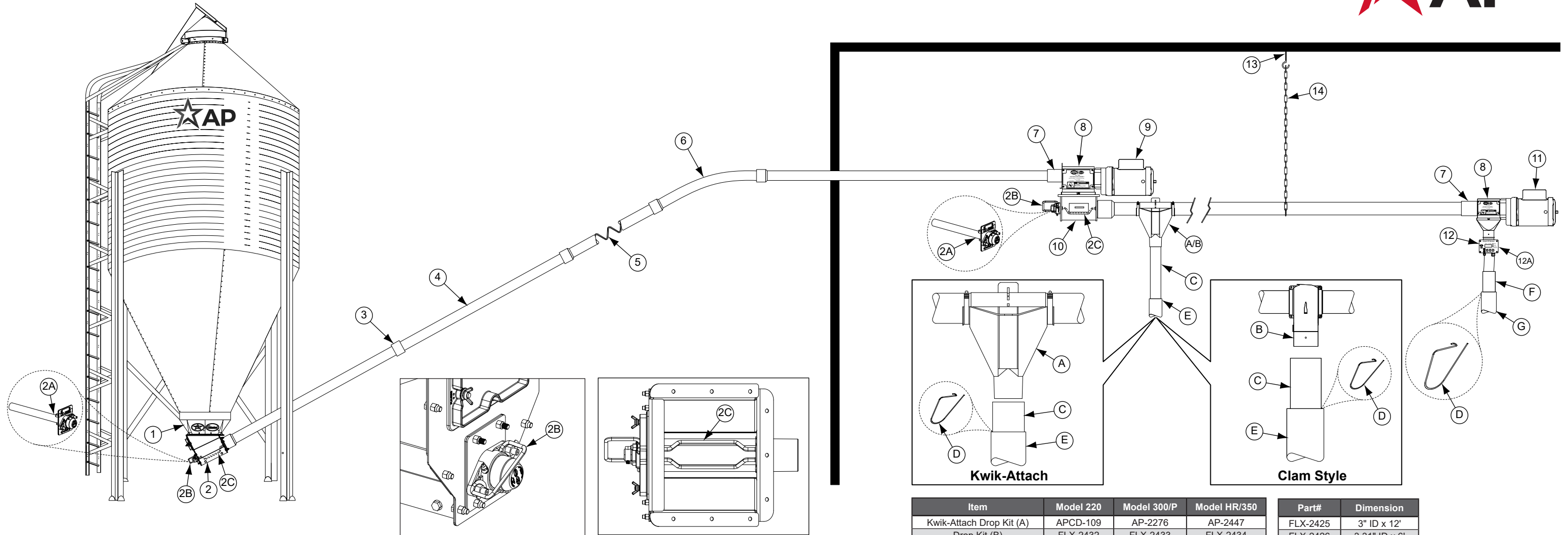


Flex-Flo Feed System Diagram - XD Ultra Unloaders



Item	Model 220	Model 300/P	Model HR/350
Kwik-Attach Drop Kit (A)	APCD-109	AP-2276	AP-2447
Drop Kit (B)	FLX-2432	FLX-2433	FLX-2434
Drop Tube (C)	FLX-2425	FLX-2425	FLX-2427
Spring Clip (D)	FLX-4278	FLX-4278	FLX-4278
Telescoping Drop Tube (E)	FLX-2426	FLX-2426	FLX-2428
Drop Tube (F)	FLX-2427	FLX-2427	FLX-2427
Telescoping Drop Tube (G)	FLX-2428	FLX-2428	FLX-2428

Part#	Dimension
FLX-2425	3" ID x 12'
FLX-2426	3.31" ID x 6'
FLX-2427	3.563" ID x 12'
FLX-2428	3.94" ID x 6'

Ref.#	Part#	Description
1	FLX-5537	16" XD Ultra Plastic Boot, Clear
2*	FLX-5603	M-220 XD Ultra 30° S.O. Unloader w/Anchor & Bearing
	FLX-5608	M-220 XD Ultra 30° T.O. Unloader w/Anchor & Bearing
	FLX-5604	M-300 XD Ultra 30° S.O. Unloader w/Anchor & Bearing
	FLX-5609	M-300 XD Ultra 30° T.O. Unloader w/Anchor & Bearing
	FLX-5605	M-300P XD Ultra 30° S.O. Unloader w/Anchor & Bearing
	FLX-5610	M-300P XD Ultra 30° T.O. Unloader w/Anchor & Bearing
	FLX-5607	M-HR XD Ultra 30° S.O. Unloader w/Anchor & Bearing
	FLX-5612	M-HR XD Ultra 30° T.O. Unloader w/Anchor & Bearing
	FLX-5606	M-350 XD Ultra 30° S.O. Unloader w/Anchor & Bearing
	FLX-5611	M-350 XD Ultra 30° T.O. Unloader w/Anchor & Bearing
2A	FLX-5457	M-220 XD/Ultra Anchor & Bearing Assembly
	FLX-5458	M-300 XD/Ultra Anchor & Bearing Assembly
	FLX-5459	M-300P XD/Ultra Anchor & Bearing Assembly
	FLX-5461	M-HR XD/Ultra Anchor & Bearing Assembly
FLX-5460	M-350 XD/Ultra Anchor & Bearing Assembly	
2B	FLX-5688	XD/Ultra Bearing Handle Kit
2C	FLX-5684	M-300P XD/Ultra Auger Retention Kit (Used with "Out" Unloaders on M-300P Systems Only)
3	FLX-2537	M-220 PVC Flex-Flo Coupler
	FLX-2538	M-300/P PVC Flex-Flo Coupler
	FLX-2539	M-HR/350 PVC Flex-Flo Coupler

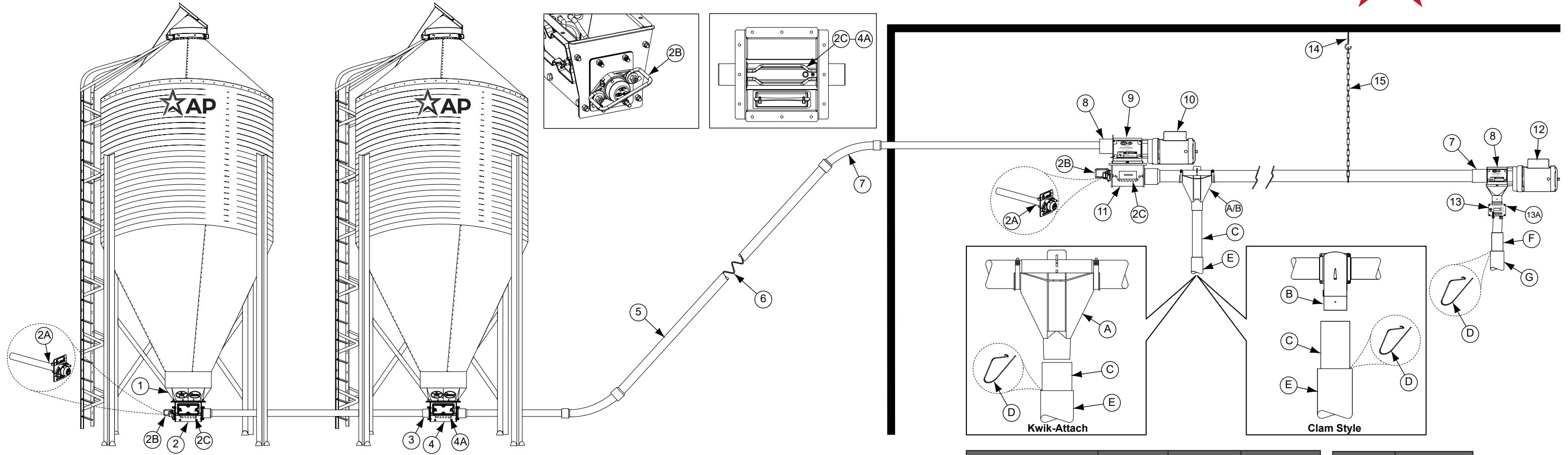
Ref.#	Part#	Description
4	PVC-1004	M-220 PVC Flex-Flo Tube, 10' (3 m) w/Belled End
	PVC-1005	M-300/P PVC Flex-Flo Tube, 10' (3 m) w/Belled End
5	PVC-1006	M-HR/350 PVC Flex-Flo Tube, 10' (3 m) w/Belled End
	FLXA1520	M-220 Auger
6	FLXA2390	M-300/HR Auger
	FLXA2206	M-300P Auger
	FLXA2710	M-350 Auger
7	PVC-1000	M-220 PVC Flex-Flo 45° Elbow, 10' Radius w/Belled End
	PVC-1101	M-220 PVC Flex-Flo 45° Elbow, 5' Radius w/Belled End
	PVC-1001	M-300/P PVC Flex-Flo 45° Elbow, 5' Radius w/Belled End
	PVC-1002	M-HR/350 PVC Flex-Flo 45° Elbow, 5' Radius w/Belled End
	FLX-5275	M-220 Direct Drive Driver & Plastic Tube Anchor Package
	FLX-5279	M-300 Direct Drive Driver & Plastic Tube Anchor Package
8	FLX-5282	M-300P Direct Drive Driver & Plastic Tube Anchor Package
	FLX-5288	M-HR Direct Drive Driver & Plastic Tube Anchor Package
9	FLX-5286	M-350 Direct Drive Driver & Plastic Tube Anchor Package
	FLX-5298	Flex-Flo Control Unit Assembly, FLX-5350, 230VAC, 1 PH/3 PH, M-220, M-300/P, M-350/HR
10*	FLX-5298-MS	Flex-Flo Control Unit Assembly, FLX-4512, 220VAC, 1 PH/3 PH, M-220, M-300/P, M-350/HR
	FLX-2672	DDPU, 1/3 HP, 1 PH, 50/60Hz, 115/208-230V, 208/250 RPM
	FLX-2673	DDPU, 1/2 HP, 1 PH, 50/60Hz, 115/208-230V, 208/250 RPM
	FLX-2674	DDPU, 3/4 HP, 1 PH, 50/60Hz, 115/208-230V, 208/250 RPM
	FLX-3629	DDPU, 1 HP, 1 PH, 50/60Hz, 115/208-230V, 208/250 RPM

Ref.#	Part#	Description
10*	FLX-5432A	M-220 XD S.O. Unloader w/Control Unit Adapter, Anchor & Bearing
	FLX-5436A	M-300 XD S.O. Unloader w/Control Unit Adapter, Anchor & Bearing
	FLX-5440A	M-300P XD S.O. Unloader w/Control Unit Adapter, Anchor & Bearing
	FLX-5448A	M-HR XD S.O. Unloader w/Control Unit Adapter, Anchor & Bearing
11	FLX-5444A	M-350 XD S.O. Unloader w/Control Unit Adapter, Anchor & Bearing
	FLX-2458	DDPU, 1/3 HP, 1 PH, 50/60Hz, 115/208-230V, 298/358 RP-M
	FLX-2459	DDPU, 1/2 HP, 1 PH, 50/60Hz, 115/208-230V, 298/358 RPM
	FLX-2460	DDPU, 3/4 HP, 1 PH, 50/60Hz, 115/208-230V, 298/358 RPM
	FLX-2461	DDPU, 1 HP, 1 PH, 50/60Hz, 115/208-230V, 298/358 RPM
12	FLX-2462	DDPU, 1-1/2 HP, 1 PH, 50/60Hz, 115/208-230V, 298/358 RPM
	FLX-4951	Smart IR Feed Level Sensor
12A	FLX-5335	Smart IR II Feed Level Sensor
	FLX-5262	IR Plus Feed Level Sensor
	AP-4738	4" x 6" Clear Feed Level Sensor Cover w/Hardware
13	S-10237-20	Open Eye Screw, 1/4" x 3-1/2", SS - Qty. of 20
	S-10237-40	Open Eye Screw, 1/4" x 3-1/2", SS - Qty. of 40
	S-10237-B	Open Eye Screw, 1/4" x 3-1/2", SS - Qty. of 100
	S-10237-500	Open Eye Screw, 1/4" x 3-1/2", SS - Qty. of 500
	AP-2950	Open Eye Screw, 1/4" x 3-1/2" - Qty. of 10
	AP-2951	Open Eye Screw, 1/4" x 3-1/2" - Qty. of 20
14	AP-2952	Open Eye Screw, 1/4" x 3-1/2" - Qty. of 40
	S-7313-B	Open Eye Screw, 1/4" x 3-1/2" - Qty. of 100

Ref.#	Part#	Description
13	S-7313-500	Open Eye Screw, 1/4" x 3-1/2" - Qty. of 500
14	S-8589-SS-100	#2 Weldless Chain, 100' Roll, SS
	S-8589-SS	#2 Weldless Chain, 400' Roll, SS
	S-8586	#2 Weldless Chain, 25' Bag
	S-8587	#2 Weldless Chain, 50' Bag
	S-8588	#2 Weldless Chain, 100' Bag
S-8589	#2 Weldless Chain, 400' Roll	

NOTE: *Add "-SS" to the end of the unloader part number for stainless steel option.
 *Add "-KT" to the end of the unloader part number for unassembled option.
 *Add "-SS-KT" to the end of the unloader part number for unassembled stainless steel option.

Flex-Flo Feed System Diagram - XD Ultra Unloaders



Item	Model 220	Model 300/P	Model HR/350
Kwik-Attach Drop Kit (A)	APCD-109	AP-2276	AP-2447
Drop Kit (B)	FLX-2432	FLX-2433	FLX-2434
Drop Tube (C)	FLX-2425	FLX-2425	FLX-2427
Spring Clip (D)	FLX-4278	FLX-4278	FLX-4278
Telescoping Drop Tube (E)	FLX-2426	FLX-2426	FLX-2428
Drop Tube (F)	FLX-2427	FLX-2427	FLX-2427
Telescoping Drop Tube (G)	FLX-2428	FLX-2428	FLX-2428

Part#	Dimension
FLX-2425	3" ID x 12'
FLX-2426	3.31" ID x 6'
FLX-2427	3.563" ID x 12'
FLX-2428	3.94" ID x 6'

Ref.#	Part#	Description
1	FLX-5537	16" XD Ultra Plastic Boot, Clear
2*	FLX-5571	M-220 XD Ultra S.O. Unloader w/Anchor & Bearing
	FLX-5573	M-220 XD Ultra T.O. Unloader w/Anchor & Bearing
	FLX-5573DT	M-220 XD Ultra T.O. Unloader w/Anchor & Bearing, Double Transfer
	FLX-5575	M-300 XD Ultra S.O. Unloader w/Anchor & Bearing
	FLX-5577	M-300 XD Ultra T.O. Unloader w/Anchor & Bearing
	FLX-5577DT	M-300 XD Ultra T.O. Unloader w/Anchor & Bearing, Double Transfer
	FLX-5579	M-300P XD Ultra S.O. Unloader w/Anchor & Bearing
	FLX-5581	M-300P XD Ultra T.O. Unloader w/Anchor & Bearing
	FLX-5581DT	M-300P XD Ultra T.O. Unloader w/Anchor & Bearing, Double Transfer
	FLX-5587	M-HR XD Ultra S.O. Unloader w/Anchor & Bearing
2A	FLX-5589	M-HR XD Ultra T.O. Unloader w/Anchor & Bearing
	FLX-5589DT	M-HR XD Ultra T.O. Unloader w/Anchor & Bearing, Double Transfer
	FLX-5583	M-350 XD Ultra S.O. Unloader w/Anchor & Bearing
	FLX-5585	M-350 XD Ultra T.O. Unloader w/Anchor & Bearing
	FLX-5585DT	M-350 XD Ultra T.O. Unloader w/Anchor & Bearing, Double Transfer
	FLX-5457	M-220 XD/Ultra Anchor & Bearing Assembly
	FLX-5458	M-300 XD/Ultra Anchor & Bearing Assembly
	FLX-5459	M-300P XD/Ultra Anchor & Bearing Assembly
	FLX-5461	M-HR XD/Ultra Anchor & Bearing Assembly
	FLX-5460	M-350 XD/Ultra Anchor & Bearing Assembly
2B	FLX-5688	XD/Ultra Bearing Handle Kit
2C	FLX-5684	M-300/P XD/Ultra Auger Retention Kit (Used with "Out" Unloaders on M-300P Systems Only)
3	FLX-2537	M-220 PVC Flex-Flo Coupler

Ref.#	Part#	Description
3	FLX-2538	M-300/P PVC Flex-Flo Coupler
	FLX-2539	M-HR/350 PVC Flex-Flo Coupler
4*	FLX-5572	M-220 XD Ultra S.T. Unloader w/o Anchor & Bearing
	FLX-5574	M-220 XD Ultra T.T. Unloader w/o Anchor & Bearing
	FLX-5574DT	M-220 XD Ultra T.T. Unloader w/o Anchor & Bearing, Double Transfer
	FLX-5576	M-300 XD Ultra S.T. Unloader w/o Anchor & Bearing
	FLX-5578	M-300 XD Ultra T.T. Unloader w/o Anchor & Bearing
	FLX-5578DT	M-300 XD Ultra T.T. Unloader w/o Anchor & Bearing, Double Transfer
	FLX-5580	M-300P XD Ultra S.T. Unloader w/o Anchor & Bearing
	FLX-5582	M-300P XD Ultra T.T. Unloader w/o Anchor & Bearing
	FLX-5582DT	M-300P XD Ultra T.T. Unloader w/o Anchor & Bearing, Double Transfer
	FLX-5588	M-HR XD Ultra S.T. Unloader w/o Anchor & Bearing
4A	FLX-5590	M-HR XD Ultra T.T. Unloader w/o Anchor & Bearing
	FLX-5590DT	M-HR XD Ultra T.T. Unloader w/o Anchor & Bearing, Double Transfer
	FLX-5584	M-350 XD Ultra S.T. Unloader w/o Anchor & Bearing
	FLX-5586	M-350 XD Ultra T.T. Unloader w/o Anchor & Bearing
	FLX-5586DT	M-350 XD Ultra T.T. Unloader w/o Anchor & Bearing, Double Transfer
	FLX-5684	M-300/P XD/Ultra Auger Retention Kit
	FLX-5736	M-HR XD/Ultra Auger Retention Kit
	FLX-5688	M-350 XD/Ultra Auger Retention Kit
	PVC-1004	M-220 PVC Flex-Flo Tube, 10' (3 m) w/Belled End
	PVC-1005	M-300/P PVC Flex-Flo Tube, 10' (3 m) w/Belled End
PVC-1006	M-HR/350 PVC Flex-Flo Tube, 10' (3 m) w/Belled End	
FLXA1520	M-220 Auger	
FLXA2390	M-300/HR Auger	

Ref.#	Part#	Description
6	FLXA2206	M-300P Auger
	FLXA2710	M-350 Auger
7	PVC-1000	M-220 PVC Flex-Flo 45° Elbow, 10' Radius w/Belled End
	PVC-1101	M-220 PVC Flex-Flo 45° Elbow, 5' Radius w/Belled End
	PVC-1001	M-300/P PVC Flex-Flo 45° Elbow, 5' Radius w/Belled End
	PVC-1002	M-HR/350 PVC Flex-Flo 45° Elbow, 5' Radius w/Belled End
	FLX-5275	M-220 Direct Drive Driver & Plastic Tube Anchor Package
	FLX-5279	M-300 Direct Drive Driver & Plastic Tube Anchor Package
	FLX-5282	M-300P Direct Drive Driver & Plastic Tube Anchor Package
	FLX-5288	M-HR Direct Drive Driver & Plastic Tube Anchor Package
	FLX-5286	M-350 Direct Drive Driver & Plastic Tube Anchor Package
	FLX-5298	Flex-Flo Control Unit Assembly, FLX-5350, 230VAC, 1 PH/3 PH, M-220, M-300/P, M-350/HR
FLX-5298-MS	Flex-Flo Control Unit Assembly, FLX-4512, 220VAC, 1 PH/3 PH, M-220, M-300/P, M-350/HR	
10	FLX-2672	DDPU, 1/3 HP, 1 PH, 50/60Hz, 115/208-230V, 208/250 RPM
	FLX-2673	DDPU, 1/2 HP, 1 PH, 50/60Hz, 115/208-230V, 208/250 RPM
	FLX-2674	DDPU, 3/4 HP, 1 PH, 50/60Hz, 115/208-230V, 208/250 RPM
	FLX-3629	DDPU, 1 HP, 1 PH, 50/60Hz, 115/208-230V, 208/250 RPM
	FLX-5432A	M-220 XD S.O. Unloader w/Control Unit Adapter, Anchor & Bearing
	FLX-5436A	M-300 XD S.O. Unloader w/Control Unit Adapter, Anchor & Bearing
11*	FLX-5440A	M-300P XD S.O. Unloader w/Control Unit Adapter, Anchor & Bearing
	FLX-5448A	M-HR XD S.O. Unloader w/Control Unit Adapter, Anchor & Bearing
	FLX-5444A	M-350 XD S.O. Unloader w/Control Unit Adapter, Anchor & Bearing
	FLX-2458	DDPU, 1/3 HP, 1 PH, 50/60Hz, 115/208-230V, 298/358 RPM
12	FLX-2459	DDPU, 1/2 HP, 1 PH, 50/60Hz, 115/208-230V, 298/358 RPM
	FLX-2460	DDPU, 3/4 HP, 1 PH, 50/60Hz, 115/208-230V, 298/358 RPM

Ref.#	Part#	Description
12	FLX-2461	DDPU, 1 HP, 1 PH, 50/60Hz, 115/208-230V, 298/358 RPM
	FLX-2462	DDPU, 1-1/2 HP, 1 PH, 50/60Hz, 115/208-230V, 298/358 RPM
13	FLX-4951	Smart IR Feed Level Sensor
	FLX-5335	Smart IR II Feed Level Sensor
13A	FLX-5262	IR Plus Feed Level Sensor
	AP-4738	4" x 6" Clear Feed Level Sensor Cover w/Hardware
14	S-10237-20	Open Eye Screw, 1/4" x 3-1/2", SS - Qty. of 20
	S-10237-40	Open Eye Screw, 1/4" x 3-1/2", SS - Qty. of 40
	S-10237-B	Open Eye Screw, 1/4" x 3-1/2", SS - Qty. of 100
	S-10237-500	Open Eye Screw, 1/4" x 3-1/2", SS - Qty. of 500
	AP-2950	Open Eye Screw, 1/4" x 3-1/2" - Qty. of 10
	AP-2951	Open Eye Screw, 1/4" x 3-1/2" - Qty. of 20
	AP-2952	Open Eye Screw, 1/4" x 3-1/2" - Qty. of 40
	S-7313-B	Open Eye Screw, 1/4" x 3-1/2" - Qty. of 100
	S-7313-500	Open Eye Screw, 1/4" x 3-1/2" - Qty. of 500
	15	S-8589-SS-100
S-8589-SS		#2 Weldless Chain, 400' Roll, SS
S-8586		#2 Weldless Chain, 25' Bag
S-8587		#2 Weldless Chain, 50' Bag
S-8588		#2 Weldless Chain, 100' Bag
S-8589		#2 Weldless Chain, 400' Roll

NOTE: *Add "-SS" to the end of the unloader part number for stainless steel option.
 *Add "-KT" to the end of the unloader part number for unassembled option.
 *Add "-SS-KT" to the end of the unloader part number for unassembled stainless steel option.